



NHRA PRO STOCK EFI TECHNICAL SPECIFICATIONS

- NHRA Pro Stock Electronic Fuel Injection Requirements 3**
- **Engine Control Unit: 3**
 - **Rev Limiter:..... 3**
 - **Throttle Body: 3**
 - **Fuel Delivery System: 3**
 - **Hoods: 3**
 - **Air Intake: 3**
 - **Sensors (mandatory): 3**
 - **Fuel Injectors: 4**
 - **Intake Manifold:..... 4**
- EFI AirInletAssembly 5**
 - **Air Inlet Assembly:..... 5**
- 100-8522 NHRA PRO STOCK AIR INDUCTION SYSTEM 6**
- Holley EFI NHRA Pro Stock Parts List 9**
 - **NHRA Spec Components 9**
 - **Recommended Components 9**
 - **Optional Items 9**

NHRA Pro Stock Electronic Fuel Injection Requirements

- **Engine Control Unit:**

- Holley HP ECU – P/N 554-129 mandatory
 - [Must run NHRA-spec V6 Firmware](#)
 - [Without 3.5in screen: HEFI_06000404_PROSTOCK.eep.](#)
 - [Using 3.5in screen: HEFI-ProStock_06004040.fwu](#)
- EFI closed loop functionality permitted

- **Rev Limiter:**

- NHRA hard limiter set to 10,500 rpm
- Teams have the ability to set soft limiter to desired rpm level

- **Throttle Body:**

- Holley – P/N 112-123 mandatory (25 sq. inches)
- Must be mounted forward facing and remain in the engine compartment

- **Fuel Delivery System:**

- 90 psi Max
- Fuel rails and fuel lines must be placed external to the manifold assembly and cannot be built into or be an integral part of the manifold assembly.
- Fuel can only be distributed into the engine through the 8 NHRA approved Holley injectors
- Earl's Performance Dry Break Coupler – P/N JV270204RL mandatory
- Coupler must be remotely mounted on the fuel line between the fuel pressure regulator and fuel rail
- Coupler must be easily accessible by NHRA Technical Department

- **Hoods:**

- Must be original OEM design, any variations to the hood must be submitted by the OEM and accepted by NHRA Technical Department prior to running in competition

- **Air Intake:**

- K&N supplied NHRA Pro Stock Air Induction System (Part Number 100-8522) mandatory, consisting of the following assemblies:
 - Throttle Body Adapter – P/N 088049
 - Coupler; Pro Stock Air Induction Small – P/N 08665
 - Inlet Duct; Pro Stock – P/N 05875
 - Coupler; Pro Stock Air Induction Large – P/N 08641
 - Air Induction Airbox; Pro Stock – P/N 05876

- **Sensors (mandatory):**

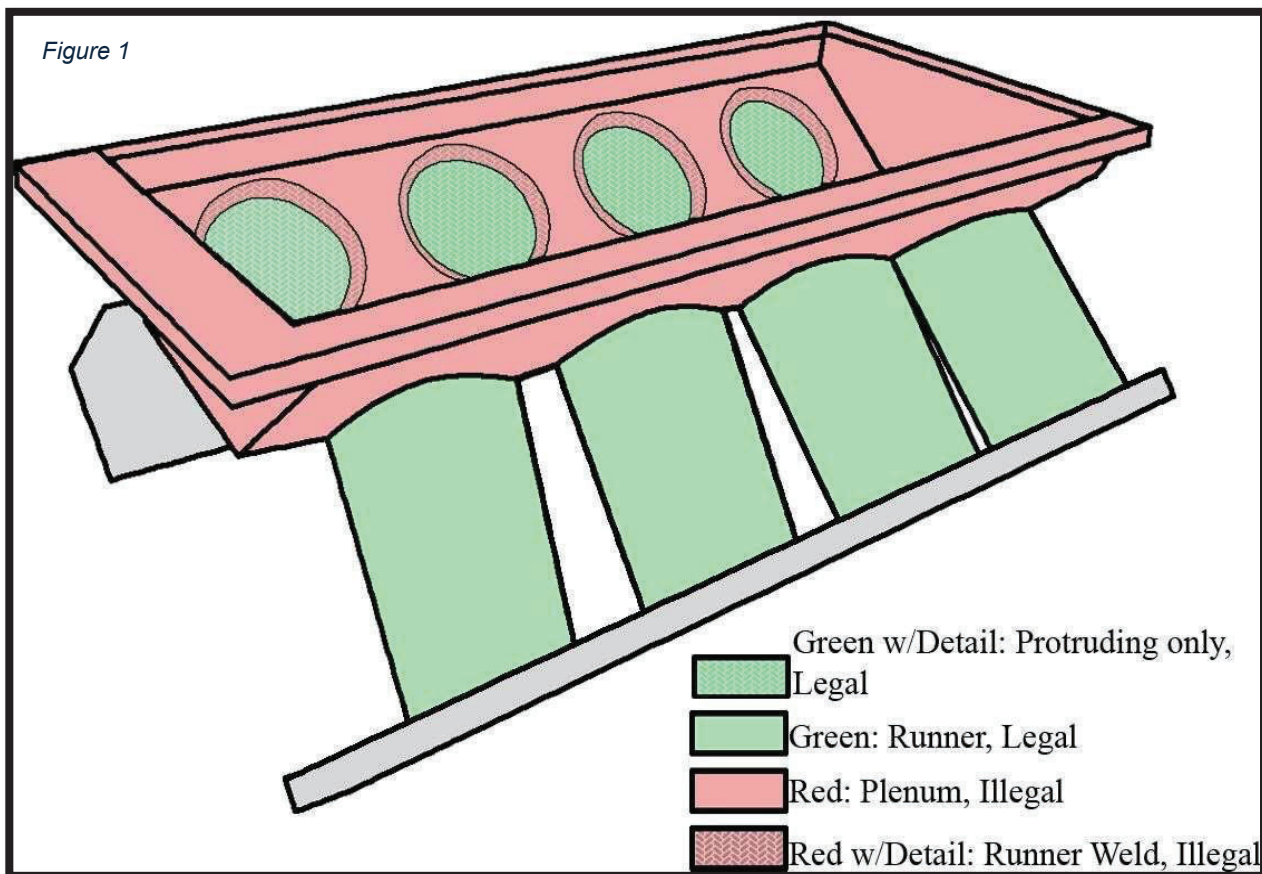
- Holley Hall Effect Crank Sensor Holley – P/N 554-118 or 556-113
- Holley Hall Effect CAM Sensor Holley – P/N 554-127

- **Fuel Injectors:**

- Holley EFI Pro Stock Injector mandatory
 - Holley P/N 522-568 (160-pound p/hour) with injector marking 0280158334 and AZNU 90/2000
 - Holley P/N 522-588 (80-pound p/hour) injector marking 0280158051
- Maximum of 8 injectors permitted
- Injector tips may not be modified, and diffuser plates may not be added
- Use of standard Holley supplied extenders only permitted
- Holley HP Smart Coil-Near-Plug Smart Coil (8 ea.) Holley – P/N 556-112 mandatory
- Must be mounted externally on intake manifold runners. No part of the injector or injector opening may be on or above the runner flange into the plenum area. See drawing below

- **Intake Manifold:**

- Intake manifold plenum must be free & clear of any diffusers **or buffers**. Including but not limited to air foils, baffles, **sponges, dividers and or** screens.
- **Surface of plenum area must remain smooth**
- **Intake manifold is limited to single plane with open plenum design.**
- **Floor or base of plenum floor may be flat or recessed V design.**
- **All manifolds are subject to inspection by NHRA Tech Dept.**
- See Figure 1 for additional information



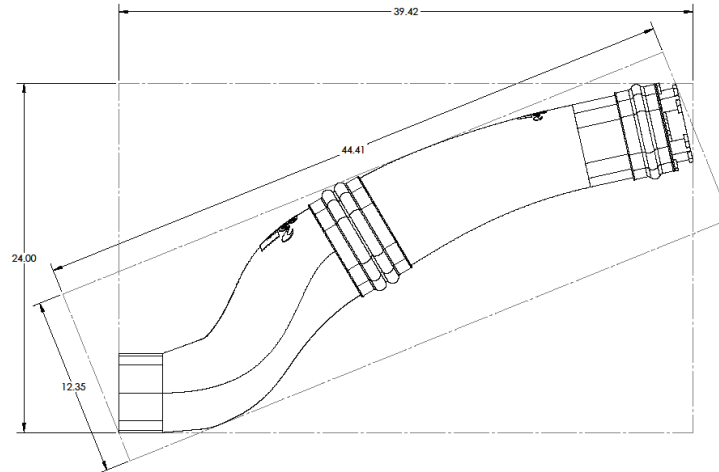
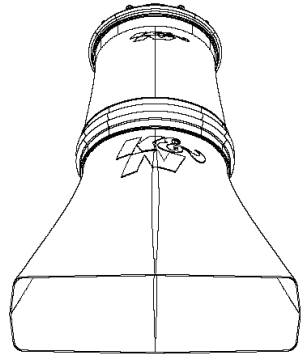
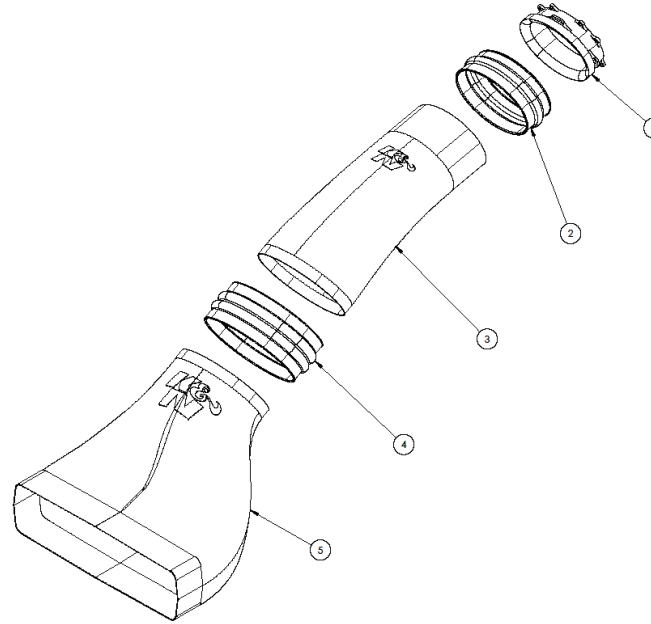
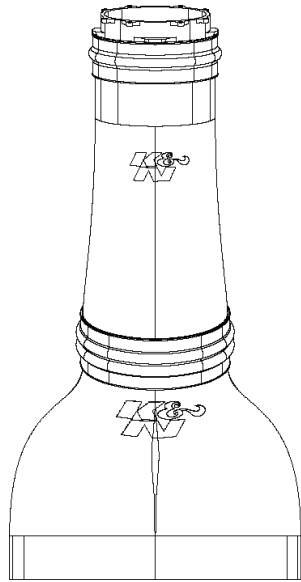
EFI Air Inlet Assembly

- **Air Inlet Assembly:**
 - K&N P/N 100-8522 Mandatory
 - Parts may not be modified
 - Exemption of the Air Induction Airbox(P/N 05876)
 - Air Induction Airbox may be trimmed to on front side to allow it to seal to the front end of the car
 - Flanges may be added to allow Dzus Fastners
 - Exemption of the Inlet Duct (P/N 05875)
 - Inlet duct may be trimmed to fit between the Air Induction Box and the throttle body adapter

100-8522 NHRA PRO STOCK AIR INDUCTION SYSTEM

THIS DOCUMENT IS THE PROPERTY OF K&N ENGINEERING, INC. THE CONTENTS OF THIS DOCUMENT ARE CONFIDENTIAL AND CONSTITUTE TRADE SECRETS PROPRIETARY TO K&N ENGINEERING, INC. NEITHER THIS DOCUMENT NOR ITS CONTENTS SHALL BE DISCLOSED TO ANY UNAUTHORIZED PERSON, COPIED OR PUBLISHED WITHOUT K&N ENGINEERING'S WRITTEN CONSENT.

REVISIONS				
REV.	DESCRIPTION	BY	DATE	APPROVED
01A	INITIAL DRAWING RELEASE	MWC	11/13/15	



NOTES: 1. SEE ADDITIONAL SHEETS FOR INDIVIDUAL PART DIMENSIONS.

ITEM NO.	PART NUMBER	MATERIAL	QTY.
1	THROTTLE BODY ADAPTER	6061-T6 ALUMINUM	1
2	COUPLER A	URETHANE	1
3	DUCT	CARBON FIBER	1
4	COUPLER B	URETHANE	1
5	INLET	CARBON FIBER	1

UNLESS OTHERWISE SPECIFIED
DIMENSIONS ARE IN INCHES
TOLERANCES ARE:
±.X ±.XX ±.XXX
±.1 ±.03 ±.015
ANGLES ±1
CONCENTRICITY .010 I.I.R.

CAD GENERATED DRAWING;
DO NOT MANUALLY UPDATE

DO NOT SCALE DRAWING

APPROVALS DATE
DRAWN: M. STEVENS 11/13/15

K&N K & N ENGINEERING, INC.
1455 CITRUS ST. / RIVERSIDE, CA 92507
P.O. BOX 1329 / RIVERSIDE, CA 92502
(951) 826-4000

DATE: _____
REV: _____
APP: _____
SCALE: _____

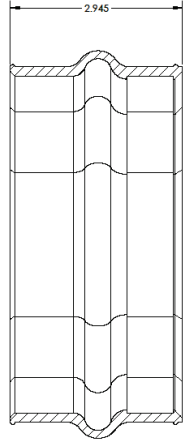
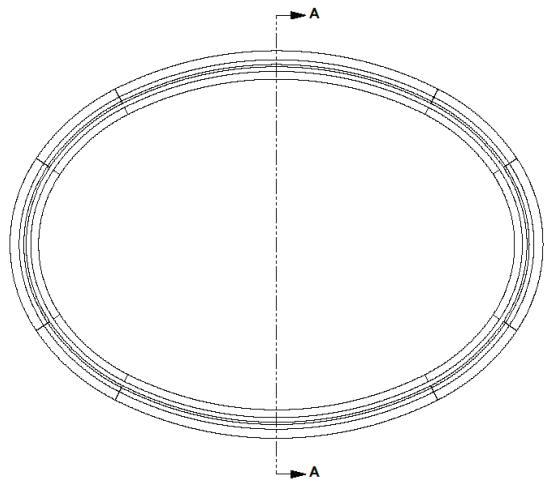
APPLICATION: SEE BOM
PART: _____
MATERIAL: _____
PROCESS: _____
SOLIDWORKS

REV: _____
DWG. NO.: _____
SCALE: 1:4

PRO STOCK FUEL INJECTION INTAKE ASSEMBLY 01A
SCALE: 1:4 UK USA SHEET 1 OF 3

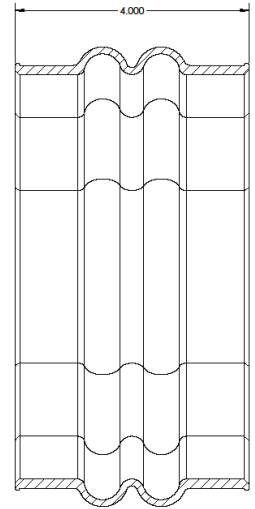
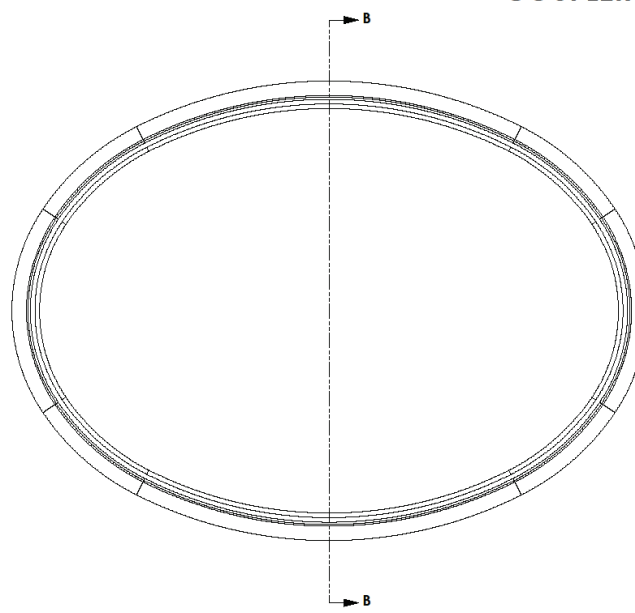
THIS DOCUMENT IS THE PROPERTY OF K&N ENGINEERING, INC. THE CONTENTS OF THIS DOCUMENT ARE CONFIDENTIAL AND CONSTITUTE TRADE SECRETS PROPRIETARY TO K&N ENGINEERING, INC. NEITHER THIS DOCUMENT NOR ITS CONTENTS SHALL BE DISCLOSED TO ANY UNAUTHORIZED PERSON, COPIED OR PUBLISHED WITHOUT K&N ENGINEERING'S WRITTEN CONSENT.

COUPLER A



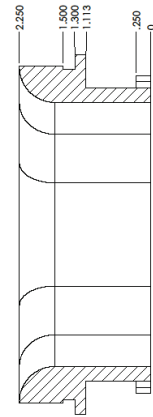
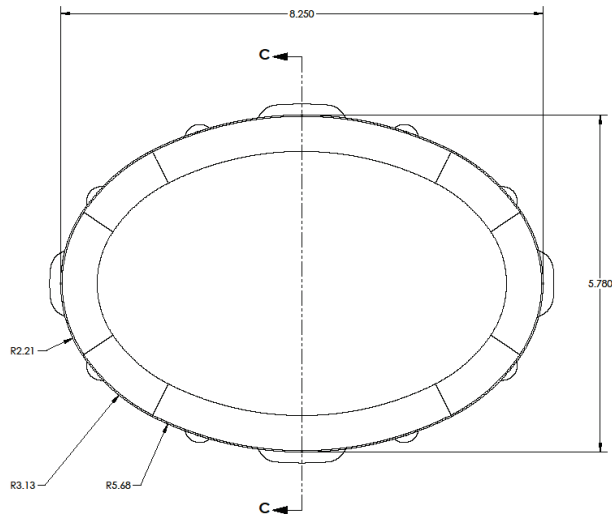
SECTION A-A
SCALE 1:1

COUPLER B



SECTION B-B
SCALE 1:1

THROTTLE BODY ADAPTER

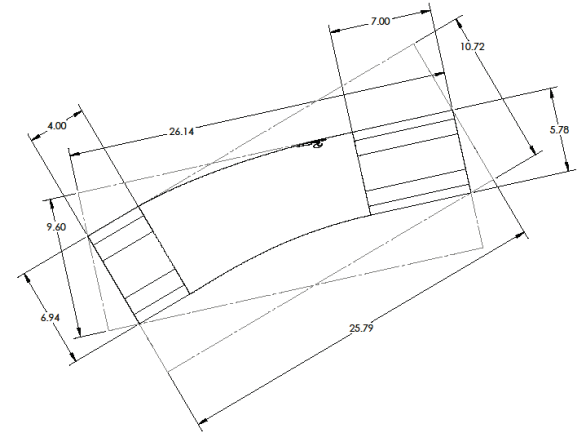
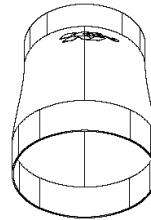
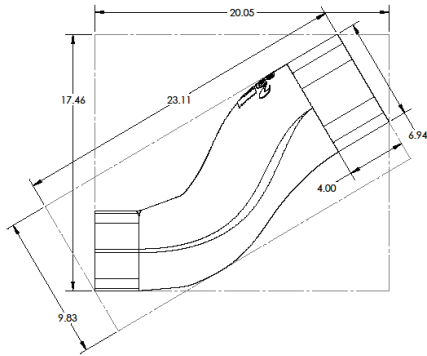
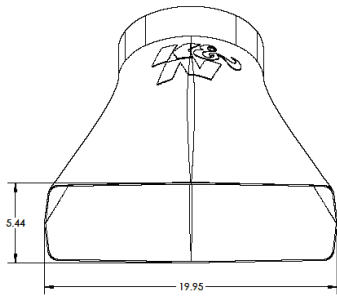
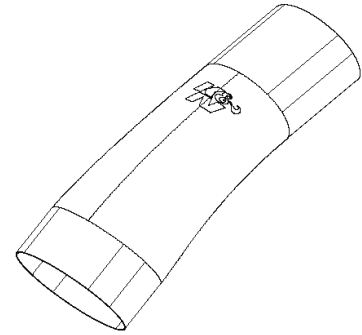
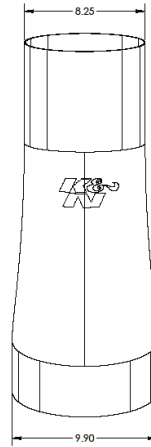
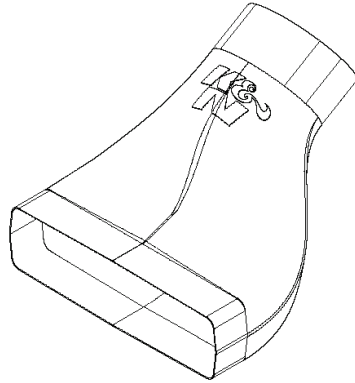
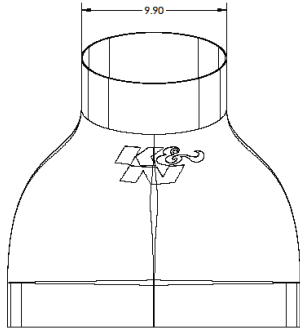


SECTION C-C
SCALE 1:1

K&N
K & N ENGINEERING, INC.
1455 CITRUS ST. / RIVERSIDE, CA 92507
P.O. BOX 1527 / RIVERSIDE, CA 92502
(951) 926-4000

DESIGNER:	M. STEVENS	DATE:	D	DWG. NO.:	PRO STOCK FUEL INJECTION INTAKE ASSEMBLY	REV.:	01A
SCALE:	1:1	UNIT:	<input type="radio"/> UK <input checked="" type="radio"/> USA <input type="radio"/>			SHEET 3 OF 3	

THIS DOCUMENT IS THE PROPERTY OF K&N ENGINEERING, INC. THE CONTENTS OF THIS DOCUMENT ARE CONFIDENTIAL AND CONSTITUTE TRADE SECRETS PROPRIETARY TO K&N ENGINEERING, INC. NEITHER THIS DOCUMENT NOR ITS CONTENTS SHALL BE DISCLOSED TO ANY UNAUTHORIZED PERSON, COPIED OR PUBLISHED WITHOUT K&N ENGINEERING'S WRITTEN CONSENT.



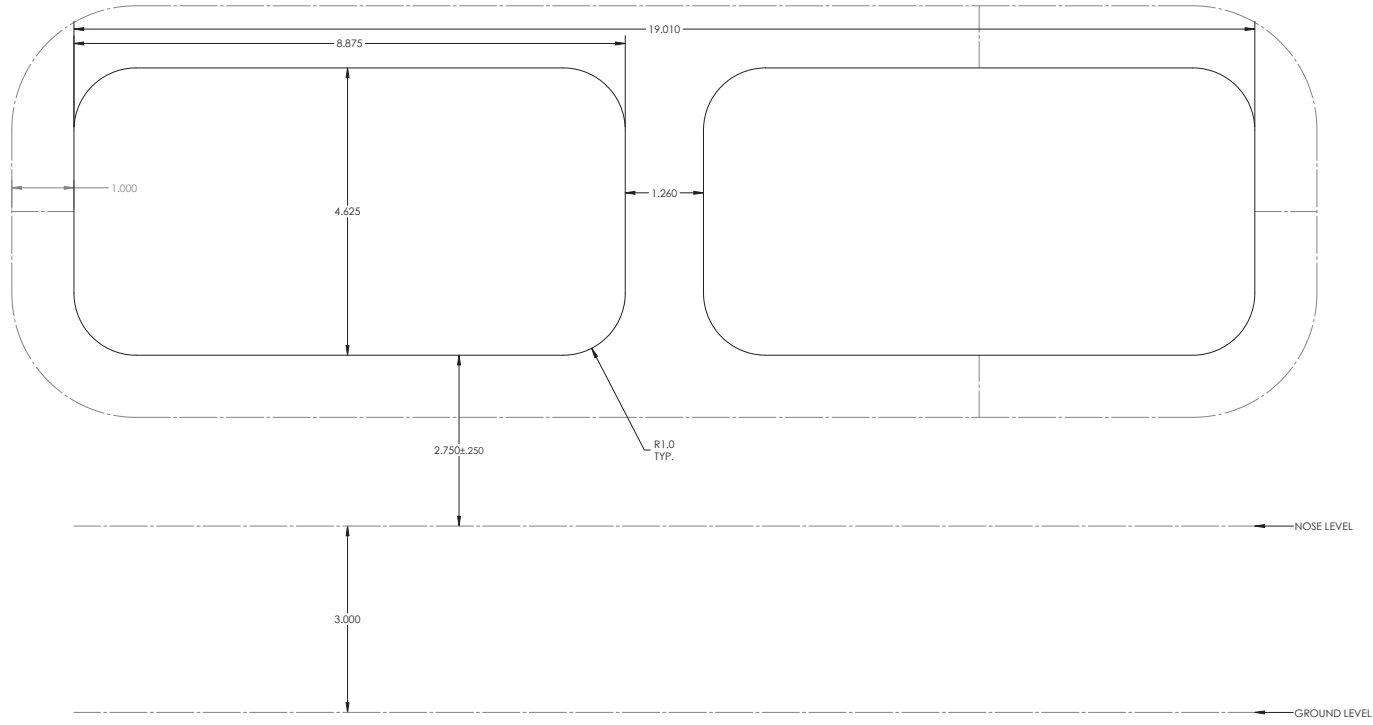
INLET

DUCT

K&N ENGINEERING, INC.
 1455 CITRUS ST. / RIVERSIDE, CA 92507
 P.O. BOX 1329 / RIVERSIDE, CA 92502
 (951) 926-4000

DESIGNER	REV	DATE	REV
M. STEVENS	D	PRO STOCK FUEL INJECTION INTAKE ASSEMBLY	01A
SCALE	1:4	UK	USA
			SHEET 2 OF 3

THIS DOCUMENT IS THE PROPERTY OF K&N ENGINEERING, INC. THE CONTENTS OF THIS DOCUMENT ARE CONFIDENTIAL AND CONSTITUTE TRADE SECRETS PROPRIETARY TO K&N ENGINEERING, INC. NEITHER THIS DOCUMENT NOR ITS CONTENTS SHALL BE DISCLOSED TO ANY UNAUTHORIZED PERSON, COPIED OR PUBLISHED WITHOUT K&N ENGINEERING'S WRITTEN CONSENT.



FRONT END PATTERN



DESIGNER M. STEVENS	SIZE D	DWG. NO. PRO STOCK FUEL INJECTION INTAKE ASSEMBLY	REV. 01A
REVIEWED	SCALE 1:4	<input type="radio"/> UK <input checked="" type="radio"/> USA <input type="radio"/>	SHEET 4 OF 4

Holley EFI NHRA Pro Stock Parts List

• NHRA Spec Components

- 554-129 Holley EFI NHRA Pro Stock ECU
- 554-129 Holley EFI NHRA Pro Stock ECU
- Injectors(Pick One)
 - 522-568 Holley EFI 160 Pound Per Hour Bosch Injectors (Set of 8)
 - 522-588 Holley EFI 80 Pound Per Hour Bosch Injectors (Set of 8)
- Crank Sensor(Pick One)
 - 554-118 Holley Hall Effect crank sensor
 - 556-113 Holley 36-1 Tooth Crank Sensor
- 554-127 Holley Hall Effect Cam Sensor
- 556-112 HP Smart Coil (8 Required)
- JV270204RL Earls SPH Bayonet Locking Dry Break
- 554-100 NTK Wideband (Not Required by NHRA)

• Recommended Components

- 558-308 Main Power Harness
- Pick One
 - 558-104 Universal MPFI Harness, or
 - 558-105
Unterminated Main
Harness Pick One
 - 558-200 V8 injector harness, or
 - 558-204 Unterminated Injector Harness
 - 558-306 Universal Unterminated Ignition, Harness
 - 558-307 Coil Near Plug Harness (Not required if using a 558-105 Unterminated Main
Harness)
 - 558-312 HP Smart Coil Sub Harness

▪ Optional Items

- 9920-107 Air Temp Sensor 534-10 Coolant temp sensor
- 538-24 1 bar map sensor
- 534-85 (8) injectors bungs
- 534-207 (2) Universal 18" fuel rails will need machined
- 558-400 8 Pin Input/output Connector
- 554-102, 100 PSI Pressure Sensor
- 558-412 CAN to Racepak and Other external CAN Device